

# JUDGING PROGRAMS

## Specialty Shows

### ST. CROIX VALLEY COMBINED SPECIALTIES ASSOCIATION

*(All Clubs are licensed by the American Kennel Club,  
except the American Whippet Club, Inc. which is a member)*

**THURSDAY, AUGUST 23, 2018 • Pages 10-12**

**FRIDAY, AUGUST 24, 2018 • Pages 13-18**

**SATURDAY, AUGUST 25, 2018 • Page 23**

SHOW HOURS • 7:00 am to 10:00 pm

**PLEASE NOTE:**

**THURSDAY:** Setters (English), Cocker Spaniels (all three varieties), Dachshunds (all three varieties), Fox Terriers (Smooth & Wire), Lhasa Apsos & all Obedience & Rally classes will be judged indoors. All other breeds will be judged outdoors.

**FRIDAY:** Setters (English), Cocker Spaniels (all three varieties), Dachshunds (all three varieties), Airedale Terriers, Fox Terriers (Smooth & Wire), Miniature Schnauzers, Pugs, Boston Terriers, Lhasa Apsos, Herding Breeds (except German Shepherd Dogs) & all Obedience & Rally classes will be judged indoors. All other breeds will be judged outdoors.

**SATURDAY:** Borzois will be judged outdoors. Pugs & Boston Terriers will be judged indoors.

## Back to Back All Breed Dog Shows

### ST. CROIX VALLEY KENNEL CLUB, INC.

*Member of the American Kennel Club*

**SATURDAY, AUGUST 25, 2018 - 2018138208 • Pages 19-22**

**AKC NATIONAL OWNER-HANDLED SERIES**

**SUNDAY, AUGUST 26, 2018 - 2018138209 • Pages 24-27**

**BEST PUPPY COMPETITION**

SHOW HOURS • 6:00 am to 7:00 pm

**PLEASE NOTE:** Cocker Spaniels (all three varieties), Dachshunds (all three varieties), all Terrier Breeds, all Toy Breeds & all Non-Sporting Breeds will be judged indoors. All other classes will be judged outdoors.



**AMERICAN  
KENNEL CLUB®**

**THESE SHOWS ARE BEING HELD UNDER  
AMERICAN KENNEL CLUB  
RULES AND REGULATIONS**

## WASHINGTON COUNTY FAIRGROUNDS

12300 N 40th St • Highway 5 & County Road 15  
Lake Elmo, Minnesota 55042

These Shows are Unbenched

### SUPPORTED ENTRIES & SPECIALTY SHOWS

#### **SUPPORTED ENTRIES WITH SWEEPSTAKES & VETERAN SWEEPSTAKES SATURDAY, AUGUST 25, 2018**

**FLAT-COATED RETRIEVER SOCIETY OF AMERICA, INC.**  
**IRISH SETTER CLUB OF MINNESOTA**  
**AMERICAN WHIPPET CLUB, INC.**

#### **SUNDAY, AUGUST 26, 2018**

**GREATER TWIN CITIES BORZOI CLUB, INC.**

#### **SATURDAY, AUGUST 25, 2018**

**PORTUGUESE WATER DOG CLUB OF THE TWIN CITIES**

#### **SATURDAY, AUGUST 27, 2018 & SUNDAY, AUGUST 26, 2018**

##### **SUPPORTED ENTRIES**

MINNESOTA **BRITTANY CLUB** • GREATER TWIN CITIES **GOLDEN RETRIEVER CLUB**  
HIAWATHA **COCKER SPANIEL CLUB, INC** • TWIN CITIES **VIZSLA CLUB, INC.**  
GREATER TWIN CITIES **AFGHAN HOUND CLUB, INC.** • MINNESOTA **DACHSHUND CLUB, INC.**  
NORTHSTAR **WORKING GROUP ASSOCIATION** • HEART OF MINNESOTA **GREAT DANE CLUB, INC.**  
THE NORTHSTAR **ROTTWEILER CLUB** • **SAMOYED ASSOCIATION OF MINNEAPOLIS-ST. PAUL**  
HEARTLAND **STANDARD SCHNAUZER CLUB OF THE GREATER TWIN CITIES**  
MINNESOTA **BOSTON TERRIER CLUB, INC.**

#### **SUNDAY, AUGUST 26, 2018**

##### **SUPPORTED ENTRIES**

**IRISH SETTER CLUB OF MINNESOTA**  
**BERNESE MOUNTAIN DOG CLUB OF THE GREATER TWIN CITIES**

### **OBEDIENCE CONTACT INFORMATION**

(612) 812-7258 cell

Member: Dog Show Superintendents Association



American  
Kennel Club  
Annually Licensed  
Superintendents

Jill M Bell • John Goosen • Candy E James • Christopher L James  
H T (Terry) James • Mary Beth James • Tim E James • Matthew Mantooth  
John McDonald • Antony M Onofrio • Jack David Onofrio • Patricia Onofrio  
Sue Onofrio • Tiffany R Fields Peterson • Glen Power • Reggie Turner  
Sharon Turner • Greg S Wetmore

PO Box 25764  
Oklahoma City, Oklahoma 73125-0764  
Phone: (405) 427-8181 • [www.onofrio.com](http://www.onofrio.com)

PO Box 4660  
Portland, Oregon 97208-4660

## SHOW VETERINARIANS

(In Attendance) THURSDAY-SUNDAY  
Camille McArdle DVM • (651) 330-8715  
6451 177th St. N, Hugo MN 55038

(ON CALL)  
Animal Emergency Clinic PA • (651) 501-3766  
7166 10th St N Suite 20, Oakdale MN  
From 6:00 pm Friday to 9:00 am Monday

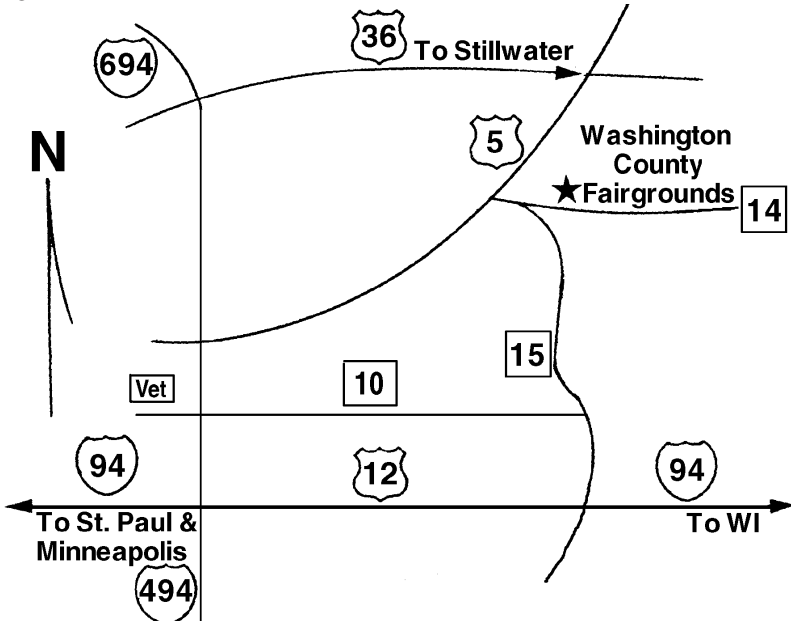
**DIRECTIONS TO ANIMAL EMERGENCY CLINIC PA:** From the show site, take Manning Ave (Hwy 15) south to 10th St (County Rd 10). Turn right on County Rd 10 to Helmo Ave N. Turn right on Helmo Ave N. The clinic is 2 blocks down, under the big water tower.

## ROUTES TO THE SHOW

**FROM EAST OR WEST** - Take I-94 (Hwy 12) to County Road 15. Take County Road 15 North to County Road 14. East on County Road 14 to Fairgrounds.

**FROM THE NORTH** - Take I-694 to Hwy 36. Take Hwy 36 East to Hwy 5; Hwy 5 South to County Road 14; east on 14 to Fairgrounds.

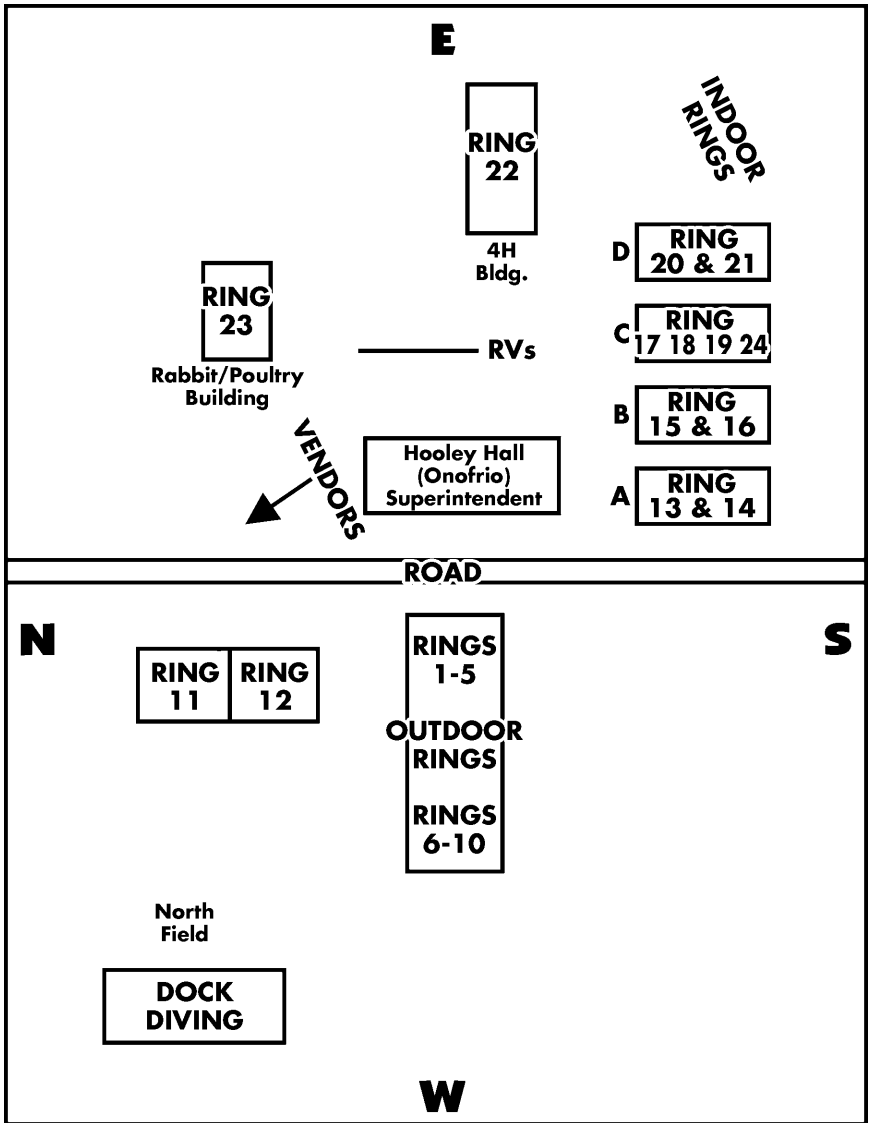
**FROM THE SOUTH** - Take I-694 to Hwy 5. Take Hwy 5 East & North to County Road 14. East on 14 to Fairgrounds.



**Construction Alert** - The entrance on County Road 14 will be closed. Please enter using the Hwy 5 entrance.

There is a horse show on the north half. Their sport is as important to them as ours is to us. Please park your cars & exercise your dogs on the south half.

Thanks!



**Specialty Shows, Obedience Trials & Rally Trials**  
**ST. CROIX VALLEY COMBINED**  
**SPECIALTIES ASSOCIATION**

*(All Clubs are licensed by the American Kennel Club,  
except the American Whippet Club, Inc. which is a member)*  
www.scvkc.org

**THURSDAY, AUGUST 23, 2018**

Conformation & Obedience - 2018050103 • Rally - 2018050104  
★ Minnesota **English Setter** Club

★ **Irish Setter** Club of Minnesota - 2018158801

Conformation & Obedience - 2018160401

★ Hiawatha **Cocker Spaniel** Club, Inc.

Conformation & Obedience - 2018191901 • Rally - 2018191902

★ Minnesota **Dachshund** Club, Inc.

★ Northstar **Working Group** Association - 2018587208

★ **CONCURRENT SPECIALTY** • Heart of Minnesota **Great Dane** Club, Inc. - 2018161601

★ **CONCURRENT SPECIALTY** • **Samoyed** Association of Minneapolis-St. Paul -  
2018247101

1st Obedience - 2018428606 • 2nd Obedience - 2018428621

1st Rally - 2018428608 • 2nd Rally - 2018428605

★ The Northstar **Rottweiler** Club

Conformation & Obedience - 2018510701 • Rally - 2018510703

★ Greater Twin Cities **Fox Terrier** Club

★ Twin Cities **Lhasa Apso** Club - 2018247304

Obedience - 2018201002 • Rally - 2018201001

★ Twin Cities **Old English Sheepdog** Club

---

**FRIDAY, AUGUST 24, 2018**

Conformation & Obedience - 2018179712 • Rally - 2018179714

★ Greater Twin Cities **Golden Retriever** Club

Conformation & Obedience - 2018050105 • Rally - 2018050106

★ Minnesota **English Setter** Club

★ **Irish Setter** Club of Minnesota - 2018158802

★ Hiawatha **Cocker Spaniel** Club, Inc. - 2018160402

1st Specialty - 2018170901 • 2nd Specialty - 2018170902

1st Specialty 4-6 Month Beginner Puppy - 2018170903

★ Greater Twin Cities **Afghan Hound** Club, Inc.

★ Greater Twin Cities **Borzoi** Club, Inc. - 2018190701

Conformation & Obedience - 2018191903 • Rally - 2018191904

★ Minnesota **Dachshund** Club, Inc.

Conformation - 2018074713 • 4-6 Month Beginner Puppy - 2018074714

★ American **Whippet** Club, Inc.

★ **Bernese Mountain Dog** Club of the Greater Twin Cities - 2018681504

★ Heart of Minnesota **Great Dane** Club, Inc. - 2018161602

**ST CROIX VALLEY COMBINED SPECIALTIES ASSOCIATION CONTINUED**

Conformation & Obedience - 2018428607 • Rally - 2018428622

4-6 Month Beginner Puppy - 2018428609

★ The Northstar **Rottweiler** Club

★ **Samoyed** Association of Minneapolis-St. Paul - 2018247102

★ Heartland **Standard Schnauzer** Club of the Greater Twin Cities - 2018559801

Conformation & Obedience - 2018204702 • Rally - 2018204701

★ Twin Cities **Airedale Terrier** Club, Inc.

★ Greater Twin Cities **Fox Terrier** Club - 2018510702

★ Twin Cities **Miniature Schnauzer** Club - 2018206505

★ Minnesota **Boston Terrier** Club, Inc. - 2018187201

★ Twin Cities **Lhasa Apso** Club - 2018247305

★ North Star **Herding Group** Club, Inc. - 2018581019

Conformation & Obedience - 2018680301 • Rally - 2018680303

★ **Concurrent Specialty** • National **Entlebucher Mountain Dog** Association

Conformation - 2018201003 • 4-6 Month Beginner Puppy - 2018201004

★ **Concurrent Specialty** • Twin Cities **Old English Sheepdog** Club

**SATURDAY, AUGUST 25, 2018**

**CONCURRENT SPECIALTY** • Greater Twin Cities **Borzoi** Club, Inc. - 2018190702

**CONCURRENT SPECIALTY** • Heart of Minnesota **Pug** Dog Club - 2018581102

**CONCURRENT SPECIALTY** • Minnesota **Boston Terrier** Club, Inc. - 2018187202

**SEMINAR**

Saturday, the American Toy Fox Terrier Club will be presenting a seminar and workshop that is parent club approved and sponsored by the Minnesota Dog Judges Association. This seminar will be presented 10 minutes after Best in Show. Cost \$30.00. Presented by Carolyn Lichty

For information

please contact: Carolyn Lichty

(218) 525-3449 • [clichty1@gmail.com](mailto:clichty1@gmail.com)

The seminar will be presented at:

Washington County Fairgrounds

12300 40th St N, Stillwater, MN 55082

## JUDGING PROGRAM BY ALPHABETICAL ORDER

| BREED           | SAT  |          | SUN  |          | BREED           | SAT  |          | SUN  |          |
|-----------------|------|----------|------|----------|-----------------|------|----------|------|----------|
|                 | RING | TIME     | RING | TIME     |                 | RING | TIME     | RING | TIME     |
| AFFENPIN        | 13   | 11:50 am | 13   | 11:10 am | ENGLISH COCKER  | 2    | 9:35 am  | 2    | 9:30 am  |
| AFGHAN          | 11   | 1:00 pm  | 11   | 9:30 am  | ENTL MTN        | 5    | 8:00 am  | 5    | 11:30 am |
| AIREDALE        | 16   | 10:05 am | 16   | 12:00 pm | FLAT COAT RET   | 2    | 8:00 am  | 5    | 8:40 am  |
| AKITA           | 6    | 9:20 am  | 6    | 9:00 am  | FLAT COAT RET   | 2    | 8:25 am  |      |          |
| ALAS MAL        | 6    | 9:20 am  | 7    | 9:50 am  | FOX TER SMOOTH  | 16   | 1:40 pm  | 15   | 1:25 pm  |
| AM STAFF        | 15   | 11:20 am | 16   | 9:00 am  | FOX TER WIRE    | 16   | 1:40 pm  | 15   | 1:25 pm  |
| AMER ESK DOG    | 14   | 9:55 am  | 15   | 9:00 am  | FRENCH BULL     | 15   | 8:00 am  | 15   | 8:00 am  |
| AMER WATER SPN  | 1    | 9:00 am  | 2    | 11:50 am | GERM SHEPHERD   | 12   | 8:00 am  | 12   | 8:00 am  |
| AUST SHEP       | 4    | 9:00 am  | 4    | 9:00 am  | GERM SHT PNT    | 1    | 9:25 am  | 8    | 9:00 am  |
| AUSTR CATTDG    | 4    | 9:00 am  | 4    | 9:00 am  | GERM WIRE PNT   | 8    | 9:45 am  | 8    | 10:15 am |
| AUSTR TERR      | 15   | 11:20 am | 16   | 12:40 pm | GOLD RET        | 8    | 9:45 am  | 8    | 10:15 am |
| BASENJI         | 3    | 12:25 pm | 5    | 8:00 am  | GORD SETT       | 1    | 10:50 am | 2    | 10:35 am |
| BEAGLE-13 IN    | 9    | 10:45 am | 5    | 8:00 am  | GREAT DANE      | 6    | 10:40 am | 6    | 9:00 am  |
| BEAGLE-15 IN    | 9    | 10:45 am | 5    | 8:00 am  | GRT PYRENEES    | 10   | 12:35 pm | 7    | 12:25 pm |
| BEARD COLL      | 4    | 10:15 am | 4    | 10:20 am | GRT SWISS MTN   | 6    | 9:20 am  | 7    | 9:50 am  |
| BEL SHP         | 4    | 10:15 am | 4    | 10:20 am | HAVANESE        | 16   | 11:05 am | 14   | 8:00 am  |
| BEL TERV        | 4    | 10:15 am | 4    | 10:20 am | ICELANDIC SHEEP | 2    | 10:40 am | 4    | 10:20 am |
| BERG PICARD     | 4    | 1:10 pm  | 16   | 1:20 pm  | IRISH RED WHITE | 1    | 8:00 am  | 2    | 9:30 am  |
| BERNS MTN       | 10   | 8:00 am  | 10   | 8:00 am  | IRISH SETT      | 5    | 9:30 am  | 5    | 9:40 am  |
| BICHON          | 14   | 11:10 am | 15   | 10:05 am | IRISH SETT      | 5    | 9:50 am  |      |          |
| BLOODHND        | 9    | 10:45 am | 5    | 8:00 am  | IRISH WATER SPN | 1    | 10:50 am | 4    | 12:55 pm |
| BORDER COLL     | 4    | 9:00 am  | 7    | 9:50 am  | IRISH WOLFHND   |      |          | 3    | 8:00 am  |
| BORDER TERR     | 15   | 11:20 am | 16   | 9:00 am  | ITAL GRYPHND    | 13   | 11:50 am | 13   | 8:00 am  |
| BORZOI          | 12   | 10:00 am | 12   | 10:00 am | JAP CHIN        | 16   | 8:00 am  | 13   | 9:10 am  |
| BORZOI          |      |          | 12   | 11:25 am | JR SHOW MASTER  | 3    | 12:25 pm | 1    | 9:05 am  |
| BOSTON TERR     | 15   | 8:00 am  | 15   | 9:00 am  | JR SHOW NV IN   | 3    | 12:25 pm | 1    | 9:05 am  |
| BOUV DES FLAN   | 4    | 10:15 am | 4    | 10:20 am | JR SHOW NV JR   | 3    | 12:25 pm | 1    | 9:05 am  |
| BOXER           | 6    | 9:20 am  | 7    | 9:50 am  | JR SHOW NV SR   | 3    | 12:25 pm | 1    | 9:05 am  |
| BRIARD          | 2    | 10:40 am | 4    | 10:20 am | JR SHOW OP IN   | 3    | 12:25 pm | 1    | 9:05 am  |
| BRITTANY        | 8    | 9:45 am  | 8    | 9:00 am  | JR SHOW OP JR   | 3    | 12:25 pm | 1    | 9:05 am  |
| BRUSS GRIF      | 16   | 10:05 am | 13   | 9:10 am  | JR SHOW OP SR   | 3    | 12:25 pm | 1    | 9:05 am  |
| BULL TER COLOR  | 14   | 8:00 am  | 16   | 9:00 am  | KEESHOND        | 14   | 12:35 pm | 15   | 10:05 am |
| BULL TER WHITE  | 14   | 8:00 am  | 16   | 9:00 am  | KUVASZ          | 6    | 9:20 am  | 7    | 12:25 pm |
| BULLDOG         | 15   | 9:20 am  | 15   | 8:00 am  | LABRADOR        | 8    | 8:45 am  | 2    | 8:00 am  |
| BULLMASTIFF     | 6    | 8:00 am  | 7    | 9:50 am  | LAKELND TERR    | 13   | 11:50 am | 14   | 10:45 am |
| CAIRN TERR      | 13   | 11:00 am | 14   | 10:45 am | LEONBERGER      |      |          | 6    | 9:00 am  |
| CANAAN          | 2    | 10:40 am | 4    | 9:00 am  | LHASA           | 15   | 1:00 pm  | 15   | 1:25 pm  |
| CANE CORSO      | 6    | 9:20 am  | 7    | 12:25 pm | MASTIFF         | 7    | 8:00 am  | 6    | 9:00 am  |
| CARD WELSH CORG | 9    | 8:00 am  | 1    | 8:00 am  | MIN AM SHEPHERD | 2    | 10:40 am | 1    | 8:00 am  |
| CAV KING CH     | 16   | 8:00 am  | 13   | 9:10 am  | MIN PIN         | 16   | 8:00 am  | 13   | 8:00 am  |
| CHES BAY RET    | 8    | 9:45 am  | 8    | 10:15 am | MIN SCHN        | 16   | 1:40 pm  | 16   | 1:20 pm  |
| CHIHUA LONG     | 16   | 8:00 am  | 13   | 8:00 am  | NEWF            | 7    | 9:30 am  | 10   | 9:30 am  |
| CHIHUA SMOOTH   | 16   | 8:00 am  | 13   | 8:00 am  | NOR ELK HND     | 5    | 8:35 am  | 3    | 8:00 am  |
| CHIN CREST      | 16   | 12:25 pm | 13   | 9:10 am  | NORWICH TERR    | 16   | 1:40 pm  | 16   | 12:40 pm |
| CHIN SHAR-PEI   | 14   | 12:35 pm | 15   | 10:05 am | NOVA SCOTIA     | 8    | 8:45 am  | 10   | 11:00 am |
| CHOW            | 14   | 12:35 pm | 15   | 10:05 am | OLD ENGLISH SHP | 10   | 11:00 am | 9    | 11:00 am |
| CKR SPN ASCOB   | 14   | 1:50 pm  | 14   | 12:15 pm | PAPILLON        | 13   | 8:00 am  | 14   | 8:00 am  |
| CKR SPN BLACK   | 14   | 11:50 am | 14   | 11:35 am | PEKINGESE       | 16   | 11:05 am | 13   | 11:10 am |
| CKR SPN PARTI   | 14   | 1:50 pm  | 14   | 1:15 pm  | PEMB WELSH CORG | 2    | 10:00 am | 1    | 8:00 am  |
| CLUMBER SPN     | 1    | 9:00 am  | 2    | 11:50 am | PHARAOH HND     | 9    | 11:45 am | 3    | 9:15 am  |
| COLL ROUGH      | 9    | 8:00 am  | 4    | 10:20 am | POINTER         | 8    | 8:45 am  | 8    | 10:15 am |
| COLL SMOOTH     | 9    | 8:00 am  | 4    | 9:00 am  | POL LOW SHEEP   | 2    | 10:40 am | 4    | 10:20 am |
| COTON DE TUL    | 14   | 11:10 am | 15   | 9:00 am  | POM             | 16   | 12:25 pm | 13   | 11:10 am |
| DACH LONG       | 13   | 12:45 pm | 13   | 12:20 pm | POOD MIN        | 14   | 9:55 am  | 16   | 9:50 am  |
| DACH SMOOTH     | 13   | 12:45 pm | 13   | 12:20 pm | POOD STD        | 14   | 12:35 pm | 16   | 11:05 am |
| DACH WIRE       | 13   | 12:45 pm | 13   | 12:20 pm | POOD TOY        | 16   | 12:25 pm | 13   | 11:10 am |
| DALMATIAN       | 14   | 12:35 pm | 15   | 9:00 am  | PORT PODE PEQU  | 5    | 8:35 am  | 3    | 9:15 am  |
| DOBERMAN        | 6    | 8:00 am  | 7    | 8:00 am  | PORT WATERDOG   | 7    | 9:30 am  | 7    | 11:05 am |
| ENG SETT        | 1    | 8:00 am  | 10   | 11:00 am | PUG             | 13   | 9:00 am  | 16   | 9:50 am  |
| ENG SPRINGER    | 1    | 9:25 am  | 2    | 10:35 am | PULIK           | 2    | 10:40 am | 4    | 10:20 am |

## JUDGING PROGRAM BY ALPHABETICAL ORDER

| BREED          | SAT  |          | SUN  |          | BREED         | SAT  |          | SUN  |          |
|----------------|------|----------|------|----------|---------------|------|----------|------|----------|
|                | RING | TIME     | RING | TIME     |               | RING | TIME     | RING | TIME     |
| PUMI           | 2    | 10:40 am | 1    | 9:05 am  | STD SCHN      | 4    | 1:10 pm  | 4    | 10:20 am |
| RAT TERR       | 15   | 11:20 am | 16   | 12:40 pm | SUSSEX SPN    | 1    | 9:25 am  | 2    | 11:50 am |
| RHORIDGE       | 9    | 11:45 am | 3    | 8:00 am  | TIB MASTIFF   | 10   | 9:30 am  | 10   | 9:30 am  |
| ROTTWEILER     | 7    | 8:00 am  | 7    | 8:00 am  | TIB SPAN      | 14   | 9:55 am  | 16   | 9:50 am  |
| RUSS TOY       | 7    | 9:30 am  | 16   | 9:00 am  | TIB TERR      | 14   | 9:55 am  | 16   | 9:50 am  |
| RUSSELL TERR   | 15   | 11:20 am | 16   | 12:40 pm | TOY FOX       | 14   | 1:50 pm  | 13   | 8:00 am  |
| SALUKI         | 5    | 8:35 am  | 3    | 8:00 am  | VIZSLA        | 5    | 12:50 pm | 4    | 12:55 pm |
| SAMOYED        | 9    | 9:10 am  | 9    | 9:35 am  | WEIM          | 5    | 11:20 am | 2    | 9:30 am  |
| SCHIPPERKE     | 14   | 12:35 pm | 16   | 11:05 am | WEL SPR SPN   | 5    | 12:50 pm | 10   | 11:00 am |
| SCOTDEERHND    | 5    | 8:35 am  | 3    | 8:00 am  | WEST HIGHLND  | 15   | 12:45 pm | 14   | 12:00 pm |
| SCOTTISH TERR  | 14   | 2:40 pm  | 16   | 12:40 pm | WHIPPET       | 3    | 9:00 am  | 3    | 9:15 am  |
| SHETLD SHEEP   | 9    | 8:00 am  | 1    | 9:05 am  | WHIPPET       | 3    | 9:35 am  |      |          |
| SIB HUSKY      | 7    | 9:30 am  | 10   | 9:30 am  | WIRE VIZ      | 5    | 12:50 pm | 4    | 12:55 pm |
| SOFT-CTD WHEAT | 15   | 11:20 am | 14   | 12:00 pm | WIREHPNT GRIF | 5    | 12:50 pm | 2    | 9:30 am  |
| SPINONE ITAL   | 5    | 11:20 am | 2    | 8:00 am  | YORKSH TERR   | 14   | 1:50 pm  | 13   | 11:10 am |
| STAF BULL      | 15   | 11:20 am | 16   | 9:00 am  |               |      |          |      |          |

### JUDGES

|                             |  |
|-----------------------------|--|
| Ms Karen J Anderson*        | 9724 County Road 5 NE, North Branch MN 55056       |
| Lois Ballard                | 421 Hawk Ct, Stratford WI 54484                    |
| Mrs Emily (Fish) Barnhart*  | 3419 NE 242nd Ave, Camas WA 98607                  |
| Mr Fred C Bassett           | 737 W Helena St, Broken Arrow OK 74012             |
| Mr Jeff Bauer               | 2053E Salzberg Rd, Bay City MN 48706               |
| Mrs Judi Bendt*             | 8240 Ford Aly, Sturgis SD 57785                    |
| Mrs Eva E Berg*             | 136 Longfield Pl, Moraga CA 94556                  |
| Mr Kenneth E Berg           | 136 Longfield Pl, Moraga CA 94556                  |
| Ronda Bermke*               | 3007 Ridge Ct, Greenleaf WI 54126                  |
| Ms Monica Berry             | 161 E Island Lake Rd, Shelton WA 98684             |
| Rick Blanchard*             | 143 Grove St, Pascoag RI 02859                     |
| Ms Guinevere Borstel        | 4745 25th St, San Francisco CA 94114               |
| Mrs Karen Brittan           | 189 201st St NW, Oak Grove MN 55011                |
| Ms Lisa Brodsky*            | 3725 Sheherd Hi8lls Dr, Bloomington MN 55431       |
| Mr James M Brown*           | 764 Deer Haven Trail, Jamestown TN 38556           |
| Ms Dawn M Buttion           | 17301 White Plains Ct, My Airy MD 21771            |
| Mr Richard Camacho*         | 301 E Annas Way, Shelton WA 98584                  |
| Mr Fausto Cavaliere         | Via Dell Nocelle 50 A, L'Aquila ITA                |
| Mr Pat Cunningham           | 7915 County Road 127 N, Brainerd MN 55425          |
| Ms Denise Dean              | PO Box 50517, Parks AZ 86018                       |
| Mr Joe DeLeo                | M 701 Nicholetts Rd, Murillo ONTARIO CANADA P0T2G0 |
| Ms Ellen Dresselhuus        | 4111 York Ave N, Robbinsdale MN 55422              |
| Ms Lize Edland              | Litslena Tyresta 12, Grillby SWEDEN 00000          |
| Constance B Fisher          | 3820 Crums Church Rd, Berryville VA 22611          |
| Ms Jan Flaherty             | 1915 Indian Creek Rd, Dandridge TN 37725           |
| Amy Gau                     | 59178 411th Ave, Mazeppa MN 55965                  |
| Dr Robert C (Bo) Gloster MD | 1008 NW 132nd St, Seattle WA 98177                 |
| Mr Garth Gourlay            | RR 1, Freelon ON Canada L0R1K0                     |
| Ms Martha Graham            | 16870 S Inner Ln, Spirit Lake IA 51360             |
| Mrs Jane Haefner            | 1136 Black Bear Dr, Mukwonago WI 53149             |
| Colin Hamilton              | 25 Lance Rd RSD, Diggers Rest, Melbourne Australia |
| Mr Brett Hamilton           | 25 Lance Rd, Diggers Rest, Melbourne Victoria AUS  |
| Veni Harlan                 | 1802 Myrtledale Ave, Baton Rouge LA 70808          |
| Carol Jean Hathaway         | 8418 22nd Ave S, Bloomington MN 55425              |
| Mrs Darle Heck              | Box 10 Site 4 RR 6, Calgary AB Canada T2J2T9       |
| Ms Dawn Hitchcock*          | 102 Carriage Ln, Simpsonville SC 29681             |
| Mrs Sharon D Hodgens-Wood*  | 859 Bradley Dr, Hudson WI 54016                    |
| Mr Ryan Lee Horvath         | 1259 Pine St, Oakland CA 94607                     |
| Mr Mike Johnson             | 4650 35th Ave NW, Fargo ND 58102                   |
| Ms JoAnn Jones              | 763 Hanby Ln, Rockwall TX 75032                    |
| Mrs Mareth K Kipp           | S54 W32292 County Rd ZZ, North Prairie WI 53153    |



Mr Thomas L Kirstein .....945 N Main Street, Bulls Gap TN 37857  
Ms Mary Alice Klein .....PO Box 194, Mitchellville IA 50169  
Mr Charles W Kline.....4121 160th Ln NW, Andover MN 55304  
Ms Linn Klingel-Brown.....15819 Cicerone Path, Rosemount MN 55068  
Ms Kathy Kocher.....3480 Bunker Lake Blvd NE, Ham Lake MN 55304  
Mrs Doety Marks .....22311 Eagle Rock Way, Laguna Beach CA 92651  
Dayna Merrow.....8900 Orchard Rd, Burr Ridge IL 60527  
Mrs Claudia Miller\* .....8205 W 67th Pl, Arvada CO 80004  
Ms Mary C Murphy-East .....PO Box 211024, Eagan MN 55121  
Mrs Julie Narzisi .....5355 Bassett Rd, Atwater OH 44201  
Mr Coleman K Nemerov.....21120 County Road 30, Corcoran MN 55340  
Debra Nordby .....9481 Tyler St NE, Blaine MN 55434  
Mrs Betsey Orman.....2317 N Daystar Ln, Oconomowoc WI 53066  
Mr Tim Peterson .....11760 193rd Ave NW, Elk River MN 55330  
Ms Kathy Rasmussen .....11714 Harmony Lake, Olathe KS 66062  
Ms Sandy Reitsma.....25575 184th St NW, Big Lake MN 55309  
Ms Mary Ann Rogers .....821 Melrose St, New Lenox IL 60451  
Mr Phillip D Rustad\* .....4205 Evergreen Ln N, Minneapolis MN 55441  
Mrs Maria (Lily) Russell.....3589 270th Ave, Keokuk IA 52632  
Dr Stephen J Schellenberg\* .....2246 Leonard Ct, Saint Paul MN 55119  
Mrs Debra L Schneider .....3241 Midland Ave, White Bear Lake MN 55110  
Mrs Cindy Scott.....3655 Cragwood Dr, Colorado Springs CO 80907  
Ms Holly S Scott\* .....1795 Tabeguache Mountain Dr, Loveland CO 80538  
Mrs Betty Seaton .....16411 2035th St N, Scandia MN 55078  
Ms Jean Shepherd .....12214 Hillside Rd, Brownsville MN 55919  
Ms Mary Lynn Speer.....2346 140th Ave, Glenwood City WI 54013  
Mrs Susan St John-Brown .....764 Deer Haven Trail, Jamestown TN 38556  
Mr Gerard Thompson .....22760 Laredo Tr, Adel IA 50003  
Mrs Barbara Wedekind Selton .....4305 W 99th St, Minneapolis MN 55437  
Mrs JoAnna Yund.....4047 Sheridan Ave S, Minneapolis MN 55416

\* One or more breed assigned approved as provisional/permit by AKC

**AKC's Event Cancellation Hotline: call (919) 816-3955 or visit [akc.org](http://akc.org) to find information about cancellation of AKC Events.**

### NEW EXHIBITOR BRIEFING

A new Exhibitor Briefing will be held 30 minutes prior to the published start of judging on Saturday. The briefing location will be posted at the Superintendent's table. Spectators are welcome to attend.

**ST CROIX VALLEY COMBINED SPECIALTIES ASSOCIATION**  
**Thursday, August 23, 2018**

**JUDGING PROGRAM**

The number before each Breed (Variety) indicates the number of dogs entered in that Breed (Variety). The numbers following each Breed (Variety) indicates the number of Regular Class Dogs, Regular Class Bitches, Best of Breed (Variety) (Dogs-Bitches).

There are 540 dogs entered in this show with a total of 637 entries plus 30 dogs and 44 entries in Rally.

**RING 1**  
**MS HOLLY S SCOTT (75)**

**9:00 am**

- 14 Mastiffs 3-7-4-0
- 13 Rottweilers 4-6-1-2\*

**10:05 am**

- 14 Boxers 2-7-3-2\*
- 15 Doberman Pinschers 4-7-4-0\*

**11:15 am**

- 2 Saint Bernards 0-1-1-0
- 4 Tibetan Mastiffs 2-1-1-0
- 2 Kuvaszok 1-0-0-1\*
- 1 Akitas 0-0-1-0\*
- 1 Master Class
- 3 Open Senior
- 3 Open Intermediate
- 2 Novice Senior
- 1 Novice Junior

**RING 2**  
**RICK BLANCHARD (67)**

**9:00 am**

- 29 Great Danes 10-10-5-4

**10:10 am**

- 2 Bullmastiffs 1-0-1-0
- 2 Greater Swiss Mountain Dogs 0-1-1-0\*
- 10 Siberian Huskies 2-6-1-1
- 17 Portuguese Water Dogs 5-6-5-1

**11:25 am**

- 5 Alaskan Malamutes 3-2-0-0
- 1 Cane Corso 0-0-1-0\*
- 1 Leonbergers 0-1-0-0

**RING 3**  
**WORKING GROUP RING**

**12:45 pm**

WORKING GROUP - RICK BLANCHARD\*

**RING 5**  
**MS JAN FLAHERTY (10)**

**11:00 am**

- 9 Setters (Irish) Sweepstakes Entries
  - 1 Setters (Irish) Veterans Sweepstakes Entry
- MS FLAHERTY MOVES TO RING 23**

**RING 5**  
**MR JAMES M BROWN (38)**

**11:45 am**

- 38 Setters (Irish) 14-11-7-5
- 1 Veteran Bitch

**RING 6**  
**MRS JULIE NARZISI (31)**  
**SPECIALTY**

**10:30 am**

- 31 Great Danes 12-11-5-3

**RING 7**  
**MRS JANE HAEFNER (89)**

**9:00 am**

- 35 Samoyeds 8-11-10-6

**10:25 am**

- 40 Bernese Mountain Dogs 8-16-10-6

**12:00 pm**

- 4 Great Pyrenees 0-1-1-2
- 10 Standard Schnauzers 3-4-2-1

**RING 9**  
**MS KATHY KOCHER (23)**  
**SPECIALTY**

**11:00 am**

- 7 Samoyeds Sweepstakes Entries
- 7 Samoyeds Veterans Sweepstakes Entries
- 9 Samoyeds Working Sweepstakes

**RING 9**  
**DR ROBERT C (BO) GLOSTER MD (48)**

**12:30 pm**

- 48 Samoyeds 8-16-12-8
- 2 Veteran Dogs
- 1 Veteran Bitch
- 1 Working Bitch

**RING 13**  
**LOIS BALLARD (15)**

**12:30 pm**

- 14 Dachshunds Sweepstakes Entries (Varieties Combined)
- 1 Dachshunds Veterans Sweepstakes Entries (Varieties Combined)

**RING 13**  
**MR RYAN LEE HORVATH (63)**

**1:15 pm**

- 1 Novice Junior Showmanship

**1:30 pm**

- 25 Dachshunds (Wirehaired) 9-6-8-2
  - 21 Dachshunds (Longhaired) 7-8-3-3
  - 16 Dachshunds (Smooth) 3-4-4-4
  - 1 Veteran Bitch
- 5 minute break between varieties  
10 minute break before Best of Breed

**ST CROIX VALLEY COMBINED SPECIALTIES ASSOCIATION**  
**Thursday, August 23, 2018**

**RING 14**  
**AMY GAU (11)**

**2:00 pm**

- 6 Spaniels (Cocker) Parti-Color Sweepstakes Entries
- 4 Spaniels (Cocker) Ascob Sweepstakes Entries
- 1 Spaniels (Cocker) Black Sweepstakes Entry

**RING 14**  
**MRS MARETH K KIPP (27)**

**2:45 pm**

- 11 Spaniels (Cocker) Parti-Color 3-5-1-2
- 8 Spaniels (Cocker) Ascob 4-2-1-0
- 1 Veteran Dog
- 8 Spaniels (Cocker) Black 1-2-4-1
- 10 minute break between varieties

**RING 15**  
**MR KENNETH E BERG (20)**

**5:00 pm**

- 20 Lhasa Apsos 5-12-3-0

**ENGLISH SETTER OBEDIENCE & RALLY**

**RING 17**  
**MR CHARLES W KLINE (6)**

**10:00 am**

- 1 Utility A Class  
6
- 1 Open B Class  
5
- 2 Novice B Class  
7-8
- 1 Beginner Novice B Class  
10
- 1 Beginner Novice A Class  
9

**RING 17**  
**MR CHARLES W KLINE (4)**

**11:20 am**

- 1 Rally Excellent B  
16 inch: R9
- 1 Rally Advanced B  
16 inch: R9
- 1 Rally Intermediate  
R32
- 1 Rally Novice B  
R31

**ROTTWEILER OBEDIENCE & RALLY**  
**1ST TRIALS**

**RING 19**  
**MR PHILLIP D RUSTAD (14)**

**8:00 am**

- 3 Utility B Class  
17-19

- 6 Open B Class  
11-12;14;17-19
- 2 Open A Class  
24-25
- 2 Beginner Novice B Class  
38-39
- 1 Beginner Novice A Class  
35

**RING 19**  
**MR PHILLIP D RUSTAD (15)**

**10:20 am**

- 3 Rally Master\*  
16 inch: R14-R15;R19
- 4 Rally Excellent B\*  
16 inch: R14-R15;R17;R20
- 3 Rally Advanced B\*  
16 inch: R14-R15;R17
- 2 Rally Intermediate  
R38-R39
- 2 Rally Novice B
- 1 Rally Novice A  
R36-R37;R40

**ROTTWEILER OBEDIENCE & RALLY**  
**2ND TRIALS**

**RING 19**  
**MR PHILLIP D RUSTAD (9)**

**1:00 pm**

- 1 Utility B Class  
17
- 2 Open B Class  
14;17
- 2 Open A Class  
24-25
- 2 Beginner Novice B Class  
38-39
- 2 Veterans Class  
14;34

**RING 19**  
**MR PHILLIP D RUSTAD (15)**

**2:30 pm**

- 3 Rally Master  
16 inch: R14-R15;R19
- 5 Rally Excellent B  
16 inch: R14-R16;R18;R20
- 4 Rally Advanced B  
16 inch: R14-R16;R18
- 1 Rally Intermediate  
R39
- 2 Rally Novice B  
R36-R37

**ST CROIX VALLEY COMBINED SPECIALTIES ASSOCIATION**  
**Thursday, August 23, 2018**

**RING 22**  
**MR MIKE JOHNSON (8)**

**2:00 pm**

- 4 Fox Terriers (Smooth) Sweepstakes Entries
- 4 Fox Terriers (Wire) Sweepstakes Entries

**RING 22**  
**DR STEPHEN J SCHELLENBERG (26)**

**2:45 pm**

- 13 Fox Terriers (Smooth) 8-2-2-1\*
- 13 Fox Terriers (Wire) 3-5-3-2\*

**RING 23**  
**MS JAN FLAHERTY (9)**  
**CONTINUING FROM RING 5**

**1:00 pm**

- 9 Setters (English) Sweepstakes Entries

**RING 23**  
**MRS EVA E BERG (38)**

**1:30 pm**

- 1 Open Junior

**2:00 pm**

- 37 Setters (English) 14-11-9-2
- 1 Field Trial Bitch

**DACHSUND OBEDIENCE & RALLY**

**RING 24**  
**MRS SHARON D HODGENS-WOOD (3)**

**9:00 am**

- 1 Utility A Class  
50
- 2 Novice B Class  
51-52

**RING 24**  
**MRS SHARON D HODGENS-WOOD (2)**

**9:45 am**

- 2 Rally Intermediate\*  
R23-R24

**COCKER SPANIEL OBEDIENCE**

**RING 24**  
**MS KAREN J ANDERSON (3)**

**12:00 pm**

- 1 Utility B Class  
47

- 1 Open A Class  
48
- 1 Novice B Class  
48

**FOX TERRIER OBEDIENCE & RALLY**

**RING 24**  
**MS KAREN J ANDERSON (1)**

**12:30 pm**

- 1 Beginner Novice B Class  
49

**RING 24**  
**MS KAREN J ANDERSON (2)**

**1:00 pm**

- 2 Rally Novice B\*  
R25;R30

**OLD ENGLISH SHEEPDOGS OBEDIENCE & RALLY**

**RING 24**  
**MRS DEBRA L SCHNEIDER (6)**

**7:00 pm**

- 1 Rally Master  
16 inch: R5
- 2 Rally Excellent B  
16 inch: R5;R7
- 1 Rally Advanced B  
16 inch: R5
- 1 Rally Advanced A  
16 inch: R6
- 1 Rally Novice B  
R21

**RING 24**  
**MRS DEBRA L SCHNEIDER (3)**

**7:50 pm**

- 1 Novice B Class  
42
- 1 Novice A Class  
41
- 1 Beginner Novice B Class  
43

**ST CROIX VALLEY COMBINED SPECIALTIES ASSOCIATION**  
**Friday, August 24, 2018**

**JUDGING PROGRAM**

The number before each Breed (Variety) indicates the number of dogs entered in that Breed (Variety). The numbers following each Breed (Variety) indicates the number of Regular Class Dogs, Regular Class Bitches, Best of Breed (Variety) (Dogs-Bitches).

There are 938 dogs entered in this show with a total of 1240 entries. Plus 5 dogs and 5 entries in 4-6 Month Beginner Puppy.

**RING 3**  
**MS GUINEVERE BORSTEL (30)**

**9:30 am**

- 21 Whippets Sweepstakes Entries
- 9 Whippets Veterans Sweepstakes Entries

**RING 3**  
**MRS CLAUDIA MILLER (3)**

**10:45 am**

- 3 4-6 Month Beginner Puppy

**RING 3**  
**MR PAT CUNNINGHAM (4)**

**11:00 am**

- 1 Open Senior
- 1 Open Intermediate
- 1 Novice Intermediate
- 1 Novice Junior

**RING 3**  
**MRS CLAUDIA MILLER (74)**

**11:15 am**

- 74 Whippets 15-27-8-13
- 5 Veteran Dogs
- 3 Veteran Bitches
- 2 Performance Dogs
- 1 Performance Bitch
- 45 minute Lunch Break after Winners Dog

**RING 4**  
**MS MARY C MURPHY-EAST (9)**  
**CONTINUING FROM RING 14**

**1:30 pm**

- 6 Standard Schnauzers Sweepstakes Entries
- 3 Standard Schnauzers Veterans Sweepstakes Entries

**RING 4**  
**MRS EVA E BERG (19)**  
**CONTINUING FROM RING 8**

**1:50 pm**

- 19 Standard Schnauzers 5-4-4-3
- 2 Veteran Bitches
- 1 Brood Bitch

**RING 5**  
**MS MARY ANN ROGERS (12)**

**10:00 am**

- 11 Setters (Irish) Sweepstakes Entries
- 1 Setters (Irish) Veterans Sweepstakes Entry

**RING 5**  
**MRS SUSAN ST JOHN-BROWN (42)**

**10:45 am**

- 42 Setters (Irish) 15-13-8-5
- 1 Veteran Bitch

**RING 6**  
**MR GERARD THOMPSON (11)**

**9:00 am**

- 11 Great Danes Sweepstakes Entries

**RING 6**  
**MRS DOETY MARKS (41)**

**9:30 am**

- 1 Open Senior
- 1 Novice Senior
- 1 Novice Junior
- 38 Great Danes 13-13-5-2
- 2 Veteran Dogs
- 2 Veteran Bitches
- 1 Stud Dog
- 1 Parade Of Veterans

**RING 7**  
**MR JOE DELEO (4)**

**10:30 am**

- 3 Rottweilers Sweepstakes Entries
- 1 Rottweilers Veterans Sweepstakes Entry

**RING 7**  
**MS MARY LYNN SPEER (1)**

**10:45 am**

- 1 4-6 Month Beginner Puppy

**RING 7**  
**MS MARY LYNN SPEER (19)**

**10:50 am**

- 19 Rottweilers 5-7-3-3
- 1 Veteran Bitch

**ST CROIX VALLEY COMBINED SPECIALTIES ASSOCIATION**  
**Friday, August 24, 2018**

**RING 8**  
**MR JEFF BAUER (21)**

**9:00 am**

- 10 Retrievers (Golden) Sweepstakes Entries
- 9 Retrievers (Golden) Veterans Sweepstakes Entries
- 2 Retrievers (Golden) Gun Dog Sweepstakes Entries

**RING 8**  
**MRS EVA E BERG (60)**

**9:50 am**

- 5 Open Senior
- 2 Open Intermediate
- 53 Retrievers (Golden) 19-16-6-2
- 2 Veteran Dogs
- 7 Veteran Bitches
- 1 Brood Bitch

**MRS BERG MOVES TO RING 4**

**RING 9**  
**MS SANDY REITSMA (23)**

**9:00 am**

- 7 Samoyeds Sweepstakes Entries
- 7 Samoyeds Veterans Sweepstakes Entries
- 9 Samoyeds Working Sweepstakes

**RING 9**  
**MS DENISE DEAN (47)**

**10:30 am**

- 47 Samoyeds 7-17-12-7
- 1 Veteran Dog
- 2 Veteran Bitches
- 1 Working Bitch

**RING 10**  
**DAYNA MERROW (31)**

**8:00 am**

- 16 Bernese Mountain Dogs Sweepstakes Entries
- 15 Bernese Mountain Dogs Veterans Sweepstakes Entries

**RING 10**  
**MR TIM PETERSON (4)**

**9:30 am**

- 1 Open Senior
- 2 Open Intermediate
- 1 Novice Junior

**RING 10**  
**MS DAWN HITCHCOCK (59)**

**9:45 am**

- 59 Bernese Mountain Dogs 9-19-12-7
- 2 Veteran Dogs
- 10 Veteran Bitches

**RING 11**  
**MS JOANN JONES (7)**  
**(1ST SHOW)**

**9:15 am**

- 7 Afghan Hounds Sweepstakes Entries

**RING 11**  
**COLIN HAMILTON (2)**

**9:35 am**

- 2 4-6 Month Beginner Puppy

**RING 11**  
**COLIN HAMILTON (28)**

**10:00 am**

- 28 Afghan Hounds 6-9-10-2
- 1 Brood Bitch
- 1 Parade of Rescue

**RING 11**  
**MR BRETT HAMILTON (29)**  
**(2ND SHOW)**

**12:45 pm**

- 29 Afghan Hounds 7-10-10-2

**RING 12**  
**MRS EMILY (FISH) BARNHART (32)**

**8:00 am**

- 32 German Shepherd Dogs 12-15-5-0

**RING 12**  
**MS LIZE EDLAND (20)**

**11:30 am**

- 16 Borzois Sweepstakes Entries
- 4 Borzois Veterans Sweepstakes Entries

**RING 12**  
**MR FAUSTO CAVALIERI (61)**

**12:45 pm**

- 61 Borzois 22-16-6-9
- 4 Veteran Dogs
- 1 Veteran Bitch
- 1 Stud Dog
- 2 Brood Bitch

**RING 13**  
**MS MARY ALICE KLEIN (16)**

**12:30 pm**

- 14 Dachshunds Sweepstakes Entries (Varieties Combined)
- 2 Dachshunds Veterans Sweepstakes Entries (Varieties Combined)

**ST CROIX VALLEY COMBINED SPECIALTIES ASSOCIATION**  
**Friday, August 24, 2018**

**RING 13**  
**CONSTANCE B FISHER (62)**

**1:20 pm**

- 1 Novice Junior Showmanship

**1:45 pm**

- 21 Dachshunds (Longhaired) 7-8-2-3  
1 Veteran Dog
- 16 Dachshunds (Smooth) 4-4-3-4  
1 Veteran Bitch
- 24 Dachshunds (Wirehaired) 9-6-7-2  
5 minute break between varieties  
10 minute break before Best of Breed

**RING 14**  
**MS MARY C MURPHY-EAST (11)**

**1:00 pm**

- 1 Spaniels (Cocker) Black Sweepstakes Entry
- 4 Spaniels (Cocker) Ascob Sweepstakes Entries
- 6 Spaniels (Cocker) Parti-Color Sweepstakes Entries

**MS MURPHY-EAST MOVES TO RING 4**

**RING 14**  
**MR KENNETH E BERG (29)**

**1:45 pm**

- 8 Spaniels (Cocker) Black 1-2-4-1
- 8 Spaniels (Cocker) Ascob 4-2-1-0  
1 Veteran Dog
- 13 Spaniels (Cocker) Parti-Color 3-6-2-2  
10 minute break between varieties

**RING 15**  
**MS ELLEN DRESSELHUIS (5)**

**8:30 am**

- 5 Boston Terriers Sweepstakes Entries

**RING 15**  
**MR FRED C BASSETT (21)**  
**CONTINUING FROM RING 20**

**8:45 am**

- 1 Open Junior
  - 20 Boston Terriers 2-10-4-4
- MR BASSETT MOVES TO RING 20 TO CONTINUE HERDING GROUP**

**RING 15**  
**MR RICHARD CAMACHO (20)**

**2:00 pm**

- 20 Lhasa Apsos 5-12-3-0

**RING 16**  
**MS MARTHA GRAHAM (5)**

**9:30 am**

- 5 Airedale Terriers Sweepstakes Entries

**RING 16**  
**MRS MARETH K KIPP (22)**

**10:00 am**

- 22 Airedale Terriers 7-5-5-4
- MRS KIPP MOVES TO RING 22**

**RING 16**  
**MRS KAREN BRITTAN (1)**

**3:30 pm**

- 1 Miniature Schnauzers Sweepstakes Entry

**RING 16**  
**MRS MARETH K KIPP (5)**  
**CONTINUING FROM RING 22**

**3:35 pm**

- 5 Miniature Schnauzers 0-3-2-0
- ENGLISH SETTER OBEDIENCE & RALLY**

**RING 17**  
**MRS BARBARA WEDEKIND SELTON (6)**

**8:00 am**

- 1 Utility A Class  
6
- 1 Open B Class  
5
- 1 Novice B Class  
8
- 1 Beginner Novice B Class  
10
- 1 Beginner Novice A Class  
9
- 1 Veterans Class  
7

**RING 17**  
**MRS BARBARA WEDEKIND SELTON (4)**

**9:10 am**

- 1 Rally Excellent B  
16 inch: R9
- 1 Rally Advanced B  
16 inch: R9
- 1 Rally Intermediate  
R32
- 1 Rally Novice B  
R31

**ST CROIX VALLEY COMBINED SPECIALTIES ASSOCIATION**  
**Friday, August 24, 2018**

**GOLDEN RETRIEVER OBEDIENCE & RALLY**

**RING 17**  
**MRS BARBARA WEDEKIND SELTON (15)**

**10:15 am**

- 3 Utility B Class  
20-22
- 1 Graduate Open Class  
15
- 4 Open B Class  
15;20-22
- 2 Open A Class  
26-27
- 2 Novice B Class  
26;30
- 1 Novice A Class  
29
- 1 Preferred Open Class  
29
- 1 Veterans Class  
22

**RING 17**  
**MRS BARBARA WEDEKIND SELTON (12)**

**12:35 pm**

- 1 Rally Master  
16 inch: R10
  - 4 Rally Excellent B  
16 inch: R8;R10-R12
  - 4 Rally Advanced B  
16 inch: R8;R10-R12
  - 3 Rally Novice B  
R33-R35
- 45 minute Lunch Break at Judges discretion

**AIREDALE OBEDIENCE & RALLY**

**RING 18**  
**MR PHILLIP D RUSTAD (12)**

**8:00 am**

- 1 Utility B Class  
23
- 1 Utility A Class  
216
- 1 Versatility Class  
28
- 2 Open B Class  
16;23
- 3 Novice B Class  
31-33
- 1 Beginner Novice B Class  
40
- 2 Beginner Novice A Class  
36-37

**RING 18**  
**MR PHILLIP D RUSTAD (4)**

**9:45 am**

- 2 Rally Novice B
- 2 Rally Novice A  
R26-R29

**ROTTWEILER OBEDIENCE & RALLY**

**RING 19**  
**MRS JOANNA YUND (13)**

**8:00 am**

- 3 Utility B Class  
17-19
- 5 Open B Class  
11;14;17-19
- 1 Open A Class  
24
- 2 Beginner Novice B Class  
38-39
- 1 Beginner Novice A Class  
35
- 2 Veterans Class  
14;34

**RING 19**  
**MRS JOANNA YUND (17)**

**10:20 am**

- 3 Rally Master  
16 inch: R14-R15;R19
- 5 Rally Excellent B  
16 inch: R14-R17;R20
- 4 Rally Advanced B  
16 inch: R14-R17
- 2 Rally Intermediate  
R38-R39
- 2 Rally Novice B
- 1 Rally Novice A  
R36-R37;R40

**RING 20**  
**MR FRED C BASSETT (83)**

**8:00 am**

- 20 Entlebucher Mountain Dogs 5-5-7-3  
**MR BASSETT MOVES TO RING 15 FOR BOSTON TERRIER SPECIALTY**

**RING 20**  
**MS LISA BRODSKY (9)**

**8:50 am**

- 1 Master Class
- 3 Open Senior
- 4 Open Intermediate
- 1 Open Junior



**ST CROIX VALLEY COMBINED SPECIALTIES ASSOCIATION**  
**Friday, August 24, 2018**

**RING 20**  
**MR FRED C BASSETT**

**9:45 am**

- 11 Miniature American Shepherds 2-5-1-3
- 3 Norwegian Buhunds 3-0-0-0
- 8 Australian Cattle Dogs 0-3-3-1
- 1 Veteran Bitch
- 6 Border Collies 1-2-2-1

**10:50 am**

- 4 Bouviers des Flandres 1-2-1-0
- 1 Canaan Dogs 0-0-1-0
- 22 Old English Sheepdogs 6-6-5-5

**MR BASSETT GOES TO LUNCH**

**RING 20**  
**MRS BETSEY ORMAN (15)**

**11:55 am**

- 12 Pembroke Welsh Corgis 5-5-1-1
- 3 Cardigan Welsh Corgis 0-2-1-0

**RING 20**  
**MR FRED C BASSETT**

**12:40 pm**

- 8 Shetland Sheepdogs 2-1-1-4

**RING 20**  
**HERDING GROUP RING**

**1:00 pm**

NOHS GROUP - MRS MARIA (LILY) RUSSELL  
REGULAR VARIETY GROUP - MR FRED C BASSETT

**RING 21**  
**MRS MARIA (LILY) RUSSELL (45)**

**8:00 am**

- 8 Collies (Smooth) 1-4-1-2
- 2 Belgian Sheepdogs 0-2-0-0
- 13 Australian Shepherds 5-4-2-2
- 4 Belgian Tervuren 1-2-1-0

**9:05 am**

- 3 Berger Picards 0-1-2-0
- 4 Collies (Rough) 0-3-1-0
- 6 Bearded Collies 2-1-2-1
- 3 Briards 1-0-1-1
- 1 Polish Lowland Sheepdogs 0-0-1-0
- 1 Pulik 0-0-1-0

**RING 21**  
**DEBRA NORDBY (11)**  
**SPECIALTY**

**10:00 am**

- 10 Old English Sheepdogs Sweepstakes Entries
- 1 Old English Sheepdogs Old English Sheepdogs Veterans Sweepstakes Entry

**RING 21**  
**MRS JUDI BENDT (24)**  
**SPECIALTY**

**1:45 pm**

- 24 Old English Sheepdogs 6-7-5-5
- 1 Veteran Bitch

**RING 22**  
**MRS BETTY SEATON (6)**

**11:00 am**

- 3 Fox Terriers (Smooth) Sweepstakes Entries
- 3 Fox Terriers (Wire) Sweepstakes Entries

**RING 22**  
**MRS MARETH K KIPP (24)**  
**CONTINUING FROM RING 16**

**12:30 pm**

- 2 Open Intermediate

**12:45 pm**

- 11 Fox Terriers (Smooth) 7-2-2-0
  - 11 Fox Terriers (Wire) 3-4-2-2
- MRS KIPP MOVES TO RING 16**

**RING 23**  
**MS MARY ANN ROGERS (10)**

**11:00 am**

- 10 Setters (English) Sweepstakes Entries

**RING 23**  
**MS JEAN SHEPHERD (1)**

**11:25 am**

- 1 Open Junior

**RING 23**  
**MR GARTH GOURLAY (41)**

**12:00 pm**

- 41 Setters (English) 15-13-9-3
- 1 Field Trial Bitch

**DACHSHUND OBEDIENCE & RALLY**

**RING 24**  
**MRS SHARON D HODGENS-WOOD (3)**

**9:00 am**

- 1 Utility A Class
- 50
- 2 Novice B Class
- 51-52

**ST CROIX VALLEY COMBINED SPECIALTIES ASSOCIATION**  
**Friday, August 24, 2018**

**RING 24**  
**MRS SHARON D HODGENS-WOOD (2)**

**9:45 am**

- 2 Rally Intermediate  
R23-R24

**ENTLEBUCHER OBEDIENCE & RALLY**

**RING 24**  
**MRS SHARON D HODGENS-WOOD (4)**

**10:00 am**

- 1 Open A Class  
44
- 1 Novice B Class  
45
- 1 Beginner Novice B Class  
45
- 1 Beginner Novice A Class  
46

**RING 24**  
**RONDA BERMKE (1)**

**10:45 am**

- 1 Rally Novice B\*  
R22

**RING 24**  
**RONDA BERMKE (1)**  
**SPECIALTY**

**12:00 pm**

- 1 Entlebucher Mountain Dogs Sweepstakes Entry

**RING 24**  
**MRS EMILY (FISH) BARNHART (25)**  
**SPECIALTY**

**1:45 pm**

- 25 Entlebucher Mountain Dogs 5-6-7-4
- 2 Stud Dog
- 1 Brood Bitch

**ST CROIX VALLEY KENNEL CLUB, INC.**  
**Saturday, August 25, 2018**

**JUDGING PROGRAM**

The number before each Breed (Variety) indicates the number of dogs entered in that Breed (Variety). The numbers following each Breed (Variety) indicates the number of Regular Class Dogs, Regular Class Bitches, Best of Breed (Variety) (Dogs-Bitches).

There are 1370 dogs entered in this show with a total of 1448 entries.  
 There are 502 dogs competing in the AKC Owner-Handled Competition.

**RING 1**  
**COLIN HAMILTON (78)**

**8:00 am**  
 6 Setters (Irish Red And White) 1-1-3-1  
 20 Setters (English) 4-6-6-4

**9:00 am**  
 2 Spaniels (American Water) 0-0-2-0  
 4 Spaniels (Clumber) 2-0-1-1  
**COLIN HAMILTON MOVES TO RING 13 FOR PUG SPECIALTY**

**RING 1**  
**MRS SUSAN ST JOHN-BROWN (55)**  
**CONTINUING FROM RING 13**

**9:25 am**  
 2 Spaniels (Sussex) 1-1-0-0  
 20 Spaniels (English Springer) 3-11-4-2  
 14 Pointers (German Shorthaired) 3-4-4-3

**10:50 am**  
 1 Spaniels (Irish Water) 0-0-1-0  
 12 Setters (Gordon) 2-6-1-3

**RING 2**  
**MS DAWN M BUTTION (11)**

**8:00 am**  
 8 Retrievers (Flat-Coated) Sweepstakes Entries  
 3 Retrievers (Flat-Coated) Veterans Sweepstakes Entries

**RING 2**  
**MRS MARETH K KIPP (60)**

**8:25 am**  
 28 Retrievers (Flat-Coated) 8-14-3-2  
 1 Veteran Dog

**9:35 am**  
 11 Spaniels (English Cocker) 7-3-1-0  
**MRS KIPP MOVES TO RING 13**

**RING 2**  
**MRS JUDI BENDT (86)**  
**CONTINUING FROM RING 12**

**10:00 am**  
 16 Pembroke Welsh Corgis 5-8-2-1

**10:40 am**  
 10 Miniature American Shepherds 2-5-1-2  
 1 Pumi 1-0-0-0  
 1 Pulik 0-0-1-0  
 1 Canaan Dogs 0-0-1-0  
 3 Briards 1-0-1-1  
 1 Icelandic Sheepdogs 0-1-0-0  
 1 Polish Lowland Sheepdogs 0-0-1-0  
**MRS BENDT MOVES TO RING 13**

**RING 3**  
**MS KATHY RASMUSSEN (14)**

**9:00 am**  
 12 Whippets Sweepstakes Entries  
 2 Whippets Veterans Sweepstakes Entries

**RING 3**  
**MRS CINDY SCOTT (102)**

**9:35 am**  
 53 Whippets 11-23-7-11  
 1 Veteran Dog

**11:40 am**

LUNCH

**12:25 pm**

6 Basenjis 0-4-1-1  
 1 Master Class  
 13 Open Senior  
 14 Open Intermediate  
 7 Open Junior  
 2 Novice Senior  
 1 Novice Intermediate  
 5 Novice Junior

**RING 4**  
**MRS EMILY (FISH) BARNHART (66)**  
**CONTINUING FROM RING 13**

**9:00 am**  
 7 Australian Cattle Dogs 0-3-3-1\*  
 5 Border Collies 1-2-1-1  
 19 Australian Shepherds 10-7-1-1

**10:15 am**

3 Belgian Sheepdogs 0-2-1-0  
 2 Bouviers des Flandres 1-0-1-0\*  
 6 Bearded Collies 3-1-2-0\*  
 5 Belgian Tervuren 2-2-1-0

**RING 4**  
**MRS DARLE HECK (71)**  
**CONTINUING FROM RING 15**

**1:10 pm**  
 3 Berger Picards 0-1-2-0  
 14 Standard Schnauzers 4-4-3-3

**RING 5**  
**MS MARY C MURPHY-EAST (15)**

**8:00 am**  
 15 Entlebucher Mountain Dogs 4-5-4-2

**ST CROIX VALLEY KENNEL CLUB, INC.**  
**Saturday, August 25, 2018**

**RING 5**  
**MR BRETT HAMILTON (66)**

**8:35 am**  
2 Portuguese Podengo Pequenos 1-0-0-1  
3 Salukis 1-1-1-0  
8 Scottish Deerhounds 3-2-1-2  
9 Norwegian Elkhounds 1-1-5-2  
**MR HAMILTON MOVES TO RING 13**

**RING 5**  
**CAROL JEAN HATHAWAY (9)**

**9:30 am**  
9 Setters (Irish) Sweepstakes Entries

**RING 5**  
**MR GARTH GOURLAY (86)**

**9:50 am**  
38 Setters (Irish) 14-11-8-5  
**11:20 am**  
6 Weimaraners 1-4-0-1  
12 Spinoni Italiani 2-2-4-4

**12:05 pm**  
LUNCH  
**12:50 pm**  
4 Spaniels (Welsh Springer) 1-2-1-0  
1 Wirehaired Pointing Griffons 0-0-0-1  
1 Wirehaired Vizslas 0-0-1-0  
24 Vizslas 6-10-2-6

**RING 6**  
**MS DAWN HITCHCOCK (61)**

**8:00 am**  
2 Bullmastiffs 1-0-1-0\*  
31 Doberman Pinschers 8-14-7-2

**9:20 am**  
2 Greater Swiss Mountain Dogs 0-1-1-0  
13 Boxers 2-7-3-1\*  
8 Alaskan Malamutes 3-4-0-1\*  
3 Kuvaszok 1-1-0-1\*  
1 Cane Corso 0-0-1-0\*  
1 Akitas 0-0-1-0\*

**RING 6**  
**MRS EVA E BERG (94)**  
**CONTINUING FROM RING 9**

**10:40 am**  
30 Great Danes 10-13-6-1

**RING 7**  
**MRS DARLE HECK**

**8:00 am**  
17 Rottweilers 4-6-4-3  
21 Mastiffs 7-8-6-0  
**MRS HECK MOVES TO RING 15**

**RING 7**  
**MR JAMES M BROWN (41)**

**9:30 am**  
1 Russian Toys (Misc. Dog)  
4 Russian Toys (Misc. Bitches)  
17 Siberian Huskies 4-10-1-2  
2 Newfoundlands 0-2-0-0\*  
17 Portuguese Water Dogs 5-7-4-1\*

**RING 8**  
**MR KENNETH E BERG (115)**

**8:45 am**  
12 Retrievers (Labrador) 6-4-1-1  
12 Retrievers (Nova Scotia Duck Tolling) 2-4-4-2  
2 Pointers 0-0-1-1

**9:45 am**  
2 Retrievers (Chesapeake Bay) 0-1-0-1  
17 Brittany's 7-8-1-0  
1 Veteran Dog  
1 Pointers (German Wirehaired) 0-1-0-0  
44 Retrievers (Golden) 18-15-4-3  
1 Veteran Dog  
3 Veteran Bitches

**MR BERG GOES TO LUNCH**  
**MR BERG MOVES TO RING 16**

**RING 9**  
**MRS EVA E BERG**

**8:00 am**  
4 Cardigan Welsh Corgis 0-3-1-0\*  
14 Shetland Sheepdogs 2-5-3-4\*  
3 Collies (Rough) 0-2-1-0\*  
8 Collies (Smooth) 1-3-2-2\*

**9:10 am**  
35 Samoyeds 5-15-8-7  
**MRS BERG MOVES TO RING 6**

**RING 9**  
**MR THOMAS L KIRSTEIN (50)**

**10:45 am**  
2 Beagles (13 Inch) 0-1-0-1  
5 Bloodhounds 0-3-0-2  
4 Beagles (15 Inch) 1-0-1-2  
**MR KIRSTEIN GOES TO LUNCH**  
**MR KIRSTEIN MOVES TO RING 11**

**RING 9**  
**MRS CLAUDIA MILLER (53)**  
**CONTINUING FROM RING 12**

**11:45 am**  
11 Rhodesian Ridgebacks 5-3-1-2  
1 Pharaoh Hounds 0-0-0-1\*

**RING 10**  
**MS DENISE DEAN (72)**

**8:00 am**  
38 Bernese Mountain Dogs 10-12-8-6  
1 Veteran Dog  
1 Veteran Bitch

**ST CROIX VALLEY KENNEL CLUB, INC.**  
**Saturday, August 25, 2018**

**9:30 am**

- 8 Tibetan Mastiffs 2-3-1-2

**11:00 am**

- 21 Old English Sheepdogs 5-6-5-5

**11:50 am**

LUNCH

**12:35 pm**

- 5 Great Pyrenees 0-1-1-2
- 1 Veteran Bitch

**RING 11**  
**MR THOMAS L KIRSTEIN**  
CONTINUING FROM RING 9

**1:00 pm**

- 27 Afghan Hounds 6-11-8-2
- MR KIRSTEIN GOES TO LUNCH**  
**MR KIRSTEIN MOVES TO RING 14**

**RING 12**  
**MRS JUDI BENDT**

**8:00 am**

- 40 German Shepherd Dogs 13-20-6-1
- MRS BENDT MOVES TO RING 2**

**RING 12**  
**MRS CLAUDIA MILLER**

**10:00 am**

- 41 Borzois 16-11-6-7\*
  - 1 Veteran Dog
- MRS MILLER MOVES TO RING 9**

**RING 13**  
**MRS EMILY (FISH) BARNHART**

**8:00 am**

- 19 Papillons 9-6-3-1
- MRS BARNHART MOVES TO RING 4**

**RING 13**  
**MRS SUSAN ST JOHN-BROWN**

**9:00 am**

- 6 Pugs 0-4-2-0
- MRS JOHN-BROWN MOVES TO RING 1**

**RING 13**  
**MRS MARETH K KIPP**  
CONTINUING FROM RING 2

**11:00 am**

- 21 Cairn Terriers 5-10-4-2

**RING 13**  
**MRS JUDI BENDT**  
CONTINUING FROM RING 2

**11:50 am**

- 8 Italian Greyhounds 3-3-1-1\*

- 1 Affenpinschers 0-0-0-1\*
- 3 Lakeland Terriers 2-0-1-0\*

**RING 13**  
**MR BRETT HAMILTON**  
CONTINUING FROM RING 5

**12:45 pm**

- 16 Dachshunds (Longhaired) 2-7-5-2
- 18 Dachshunds (Wirehaired) 6-4-7-1
- 10 Dachshunds (Smooth) 4-3-1-2

**RING 14**  
**DR STEPHEN J SCHELLENBERG (4)**

**8:00 am**

- 2 Bull Terriers (Colored) 1-0-0-1\*
- 2 Bull Terriers (White) 1-0-0-1\*

**RING 14**  
**MR RICHARD CAMACHO (115)**  
CONTINUING FROM RING 15

**9:55 am**

- 2 Tibetan Spaniels 0-2-0-0
- 4 American Eskimo Dogs 0-0-2-2
- 16 Tibetan Terriers 3-9-2-2
- 9 Poodles (Miniature) 0-5-2-2

**11:10 am**

- 2 Coton de Tulear 0-0-1-1
  - 14 Bichons Frises 2-6-2-4
- MR CAMACHO GOES TO LUNCH**

**RING 14**  
**COLIN HAMILTON**  
CONTINUING FROM RING 1

**11:50 am**

- 6 Spaniels (Cocker) Black 1-2-3-0
- COLIN HAMILTON GOES TO LUNCH**  
**COLIN HAMILTON MOVES TO RING 15**

**RING 14**  
**MR RICHARD CAMACHO**

**12:35 pm**

- 1 Schipperkes 0-0-0-0
- 1 Veteran Bitch
- 4 Dalmatians 1-0-2-1
- 6 Poodles (Standard) 3-1-2-0
- 8 Keeshonden 1-4-3-0
- 3 Chinese Shar-Pei 0-0-1-2
- 1 Chow Chows 0-0-1-0

**RING 14**  
**COLIN HAMILTON**  
CONTINUING FROM RING 15

**1:50 pm**

- 6 Spaniels (Cocker) Ascob 4-2-0-0

**ST CROIX VALLEY KENNEL CLUB, INC.**  
**Saturday, August 25, 2018**

3 Toy Fox Terriers 0-0-2-1  
2 Yorkshire Terriers 0-1-1-0  
11 Spaniels (Cocker) Parti-Color 3-5-1-2  
**COLIN HAMILTON MOVES TO RING 12 FOR  
BORZOI SPECIALTY**

**RING 14**  
**MR THOMAS L KIRSTEIN**  
**CONTINUING FROM RING 11**

**2:40 pm**  
12 Scottish Terriers 2-6-2-2

**RING 15**  
**MR RICHARD CAMACHO**

**8:00 am**  
17 French Bulldogs 6-4-5-2  
17 Boston Terriers 2-8-4-3

**9:20 am**  
11 Bulldogs 2-8-1-0  
**MR CAMACHO MOVES TO RING 14**

**RING 15**  
**MRS DARLE HECK**  
**CONTINUING FROM RING 7**

**11:20 am**  
4 Border Terriers 1-2-1-0  
1 Russell Terriers 1-0-0-0  
1 Rat Terriers 1-0-0-0  
1 Australian Terriers 0-0-1-0  
1 Staffordshire Bull Terriers 0-0-1-0  
1 American Staffordshire Terriers 0-0-0-1  
1 Soft Coated Wheaten Terriers 0-1-0-0

**MRS HECK GOES TO LUNCH**  
**12:45 pm**  
6 West Highland White Terriers 2-2-1-1  
**MRS HECK MOVES TO RING 4**

**RING 15**  
**COLIN HAMILTON**  
**CONTINUING FROM RING 14**

**1:00 pm**  
18 Lhasa Apsos 4-10-4-0  
**COLIN HAMILTON MOVES TO RING 14**

**RING 16**  
**MR FRED C BASSETT (124)**

**8:00 am**  
5 Chihuahuas (Smooth Coat) 1-4-0-0  
6 Miniature Pinschers 0-2-0-4  
9 Chihuahuas (Long Coat) 3-6-0-0

4 Japanese Chin 1-2-1-0  
29 Cavalier King Charles Spaniels 11-12-3-3  
**10:05 am**

19 Airedale Terriers 6-4-5-4  
6 Brussels Griffons 1-2-1-2

**11:05 am**  
5 Pekingese 4-0-1-0  
10 Havanese 3-6-1-0

**11:40 am**  
**LUNCH**

**12:25 pm**  
11 Chinese Cresteds 4-2-2-3  
16 Pomeranians 5-6-4-1  
4 Poodles (Toy) 0-4-0-0

**RING 16**  
**MR KENNETH E BERG**  
**CONTINUING FROM RING 8**

**1:40 pm**  
12 Fox Terriers (Wire) 3-5-2-2  
8 Fox Terriers (Smooth) 5-1-1-1  
1 Norwich Terriers 1-0-0-0  
4 Miniature Schnauzers 0-3-1-0

**RING 1**  
**REGULAR VARIETY GROUPS**

**2:45 pm**  
HERDING GROUP - MRS JUDI BENDT  
WORKING GROUP - MRS DARLE HECK  
NON-SPORTING GROUP - MR RICHARD CAMACHO  
SPORTING GROUP - MR KENNETH E BERG  
TERRIER GROUP - MRS MARETH K KIPP  
HOUND GROUP - MR THOMAS L KIRSTEIN  
TOY GROUP - COLIN HAMILTON  
BEST IN SHOW - MRS EVA E BERG  
Unless otherwise announced.

**RING 9**  
**NOHS**

**2:15 pm**  
HERDING GROUP - MRS EMILY (FISH) BARNHART  
WORKING GROUP - MR TIM PETERSON  
NON-SPORTING GROUP - MR TIM PETERSON  
SPORTING GROUP - MS MARY C MURPHY-EAST  
TERRIER GROUP - MRS JUDI BENDT  
HOUND GROUP - MS MARY C MURPHY-EAST  
TOY GROUP - MRS JUDI BENDT  
BEST OWNER-HANDLED IN SHOW - MR BRETT HAMILTON  
Unless otherwise announced.

**ST CROIX VALLEY COMBINED SPECIALTIES ASSOCIATION**  
**Saturday, August 25, 2018**

**JUDGING PROGRAM**

The number before each Breed (Variety) indicates the number of dogs entered in that Breed (Variety). The numbers following each Breed (Variety) indicates the number of Regular Class Dogs, Regular Class Bitches, Best of Breed (Variety) (Dogs-Bitches).

There are 88 dogs entered in this show with a total of 119 entries.

**RING 12**  
**MS MONICA BERRY (26)**

**1:15 pm**

- 21 Borzois Sweepstakes Entries
- 5 Borzois Veterans Sweepstakes Entries

**RING 12**  
**COLIN HAMILTON (68)**  
**CONTINUING FROM RING 14 ALL BREED SHOW**

**2:45 pm**

- 61 Borzois 23-17-6-10
- 4 Veteran Dogs
- 1 Veteran Bitch

**RING 13**  
**COLIN HAMILTON (7)**  
**CONTINUING FROM RING 1 ALL BREED SHOW**

**10:45 am**

- 7 Pugs 1-4-2-0
- COLIN HAMILTON MOVES TO RING 14 FOR ALL BREED SHOW**

**RING 15**  
**MR TIM PETERSON (4)**

**9:45 am**

- 4 Boston Terriers Sweepstakes Entries

**RING 15**  
**MS LINN KLINGEL-BROWN (21)**

**10:10 am**

- 1 Open Junior

**10:30 am**

- 20 Boston Terriers 2-10-4-4

**ST CROIX VALLEY KENNEL CLUB, INC.**  
**Sunday, August 26, 2018**

**JUDGING PROGRAM**

The number before each Breed (Variety) indicates the number of dogs entered in that Breed (Variety). The numbers following each Breed (Variety) indicates the number of Regular Class Dogs, Regular Class Bitches, Best of Breed (Variety) (Dogs-Bitches).

Veni Harlan will judge Borzoi Sweepstakes and Veteran Sweepstakes in place of Ms Lize Edland.

There are 1323 dogs entered in this show with a total of 1390 entries.

**RING 1**

**MRS EMILY (FISH) BARNHART (87)**

**8:00 am**

- 15 Pembroke Welsh Corgis 5-7-1-1
- 1 Veteran Dog
- 5 Cardigan Welsh Corgis 0-3-1-1
- 8 Miniature American Shepherds 2-3-1-2\*

**9:05 am**

- 14 Shetland Sheepdogs 2-5-3-4
- 1 Pumik 1-0-0-0\*
- 1 Master Class
- 14 Open Senior
- 13 Open Intermediate
- 8 Open Junior
- 2 Novice Senior
- 1 Novice Intermediate
- 5 Novice Junior

**RING 2**

**MRS SUSAN ST JOHN-BROWN (85)**

**8:00 am**

- 15 Retrievers (Labrador) 8-5-1-1
  - 11 Spinoni Italiani 2-2-3-4
- MRS JOHN-BROWN MOVES TO RING 11**

**RING 2**

**MR KENNETH E BERG (91)**

**9:30 am**

- 12 Spaniels (English Cocker) 8-3-1-0
- 8 Weimaraners 3-4-0-1
- 1 Wirehaired Pointing Griffons 0-0-0-1
- 6 Setters (Irish Red And White) 1-1-3-1

**10:35 am**

- 12 Setters (Gordon) 2-6-1-3
- 19 Spaniels (English Springer) 3-10-4-2

**11:50 am**

- 4 Spaniels (Clumber) 2-0-1-1
- 2 Spaniels (American Water) 0-0-2-0
- 2 Spaniels (Sussex) 1-1-0-0

**MR BERG GOES TO LUNCH**  
**MR BERG MOVES TO RING 4**

**RING 3**

**MR THOMAS L KIRSTEIN (85)**

**8:00 am**

- 10 Rhodesian Ridgebacks 4-3-1-2
- 4 Irish Wolfhounds 1-3-0-0
- 3 Salukis 1-1-1-0
- 6 Scottish Deerhounds 3-0-1-2
- 9 Norwegian Elkhounds 1-1-5-2

**9:15 am**

- 1 Pharaoh Hounds 0-0-0-1
- 2 Portuguese Podengo Pequenos 1-0-0-1
- 50 Whippets 10-21-7-11
- 1 Veteran Dog

**RING 4**

**MS DENISE DEAN (68)**

**9:00 am**

- 2 Canaan Dogs 1-0-1-0
- 6 Australian Cattle Dogs 0-3-2-1
- 6 Collies (Smooth) 1-1-2-2
- 19 Australian Shepherds 10-7-1-1

**10:20 am**

- 3 Belgian Tervuren 1-1-1-0
- 6 Bearded Collies 3-1-2-0
- 2 Bouviers des Flandres 1-0-1-0
- 3 Collies (Rough) 0-3-0-0
- 1 Belgian Sheepdogs 0-0-1-0
- 3 Briards 1-0-1-1
- 1 Polish Lowland Sheepdogs 0-0-1-0
- 1 Icelandic Sheepdogs 0-1-0-0
- 1 Pulik 0-0-1-0
- 14 Standard Schnauzers 4-4-3-3

**RING 4**

**MR KENNETH E BERG**  
**CONTINUING FROM RING 2**

**12:55 pm**

- 23 Vizslas 6-9-2-6
- 1 Wirehaired Vizslas 0-0-1-0
- 1 Spaniels (Irish Water) 0-0-1-0

**RING 5**

**MR BRETT HAMILTON (72)**

**8:00 am**

- 2 Beagles (13 Inch) 0-1-0-1
- 6 Basenjis 0-4-1-1
- 4 Beagles (15 Inch) 1-0-1-2
- 5 Bloodhounds 0-3-0-2

**MR HAMILTON MOVES TO RING 12**

**RING 5**

**COLIN HAMILTON (96)**

**8:40 am**

- 25 Retrievers (Flat-Coated) 7-13-3-1
- 1 Veteran Dog

**9:40 am**

- 33 Setters (Irish) 12-9-7-5
- COLIN HAMILTON GOES TO LUNCH**  
**COLIN HAMILTON MOVES TO RING 13**



**ST CROIX VALLEY KENNEL CLUB, INC.**  
**Sunday, August 26, 2018**

**RING 5**  
**MRS JUDI BENDT (93)**  
**CONTINUING FROM RING 15**

**11:30 am**  
14 Entlebucher Mountain Dogs 4-5-4-1

**RING 6**  
**MR JAMES M BROWN (73)**

**9:00 am**  
21 Mastiffs 7-8-6-0\*  
1 Akitas 0-0-1-0  
1 Leonbergers 0-1-0-0\*  
29 Great Danes 9-13-6-1  
**MR BROWN MOVES TO RING 14**

**RING 7**  
**MRS EVA E BERG (102)**

**8:00 am**  
18 Rottweilers 4-7-4-3  
29 Doberman Pinschers 8-12-7-2  
**9:50 am**  
3 Bullmastiffs 1-1-1-0  
2 Greater Swiss Mountain Dogs 0-1-1-0  
13 Boxers 2-7-3-1  
5 Border Collies 1-2-1-1\*  
7 Alaskan Malamutes 3-3-0-1  
**11:05 am**  
16 Portuguese Water Dogs 5-6-4-1  
**11:40 am**  
LUNCH  
**12:25 pm**  
3 Kuvaszok 1-1-0-1  
5 Great Pyrenees 0-1-1-2  
1 Veteran Bitch  
1 Cane Corso 0-0-1-0

**RING 8**  
**MR GARTH GOURLAY (62)**

**9:00 am**  
14 Pointers (German Shorthaired) 3-4-4-3  
17 Brittans 7-8-1-0  
1 Veteran Dog  
**10:15 am**  
2 Pointers 0-0-1-1  
2 Retrievers (Chesapeake Bay) 0-1-0-1  
1 Pointers (German Wirehaired) 0-1-0-0  
26 Retrievers (Golden) 12-10-2-1  
1 Veteran Dog

**RING 9**  
**MRS DARLE HECK (148)**  
**CONTINUING FROM RING 10**

**9:35 am**  
35 Samoyeds 7-14-9-5  
**11:00 am**  
22 Old English Sheepdogs 5-7-5-5  
**MRS HECK MOVES TO RING 16**

**RING 10**  
**MRS DARLE HECK**

**8:00 am**  
38 Bernese Mountain Dogs 9-14-8-5  
1 Veteran Dog  
1 Veteran Bitch  
**MRS HECK MOVES TO RING 9**

**RING 10**  
**MS DAWN HITCHCOCK (57)**  
**CONTINUING FROM RING 14**

**9:30 am**  
18 Siberian Huskies 5-10-1-2\*  
3 Newfoundland 0-2-0-1\*  
7 Tibetan Mastiffs 1-3-1-2

**RING 10**  
**MRS SUSAN ST JOHN-BROWN**  
**CONTINUING FROM RING 11**

**11:00 am**  
12 Retrievers (Nova Scotia Duck Tolling) 2-4-4-2  
4 Spaniels (Welsh Springer) 1-2-1-0  
17 Setters (English) 3-6-6-2

**RING 11**  
**MRS SUSAN ST JOHN-BROWN**  
**CONTINUING FROM RING 2**

**9:30 am**  
26 Afghan Hounds 6-11-7-2  
**MRS JOHN-BROWN MOVES TO RING 10**

**RING 12**  
**MR FRED C BASSETT (82)**

**8:00 am**  
39 German Shepherd Dogs 13-18-7-1  
**MR BASSETT MOVES TO RING 16**

**RING 12**  
**VENI HARLAN (22)**

**10:00 am**  
17 Borzois Sweepstakes Entries  
5 Borzois Veterans Sweepstakes Entries

**RING 12**  
**MR BRETT HAMILTON**  
**CONTINUING FROM RING 5**

**11:25 am**  
55 Borzois 21-15-6-9  
3 Veteran Dogs  
1 Veteran Bitch

**ST CROIX VALLEY KENNEL CLUB, INC.**  
**Sunday, August 26, 2018**

**RING 13**  
**MR RICHARD CAMACHO (108)**

**8:00 am**

- 8 Italian Greyhounds 3-3-1-1\*
- 5 Chihuahuas (Smooth Coat) 1-4-0-0\*
- 2 Toy Fox Terriers 0-0-1-1\*
- 6 Miniature Pinschers 0-2-0-4\*
- 8 Chihuahuas (Long Coat) 3-5-0-0\*

**9:10 am**

- 4 Japanese Chin 1-2-1-0
- 6 Brussels Griffons 1-2-1-2\*
- 10 Chinese Cresteds 4-2-1-3\*
- 29 Cavalier King Charles Spaniels 11-12-3-3

**11:10 am**

- 2 Yorkshire Terriers 0-1-1-0
- 5 Pekingese 4-0-1-0
- 17 Pomeranians 6-6-4-1
- 1 Affenpinschers 0-0-0-1\*
- 5 Poodles (Toy) 0-5-0-0

**RING 13**  
**COLIN HAMILTON**  
**CONTINUING FROM RING 5**

**12:20 pm**

- 10 Dachshunds (Smooth) 4-3-1-2
- 10 Dachshunds (Longhaired) 2-4-3-1
- 18 Dachshunds (Wirehaired) 6-4-7-1

**RING 14**  
**MS DAWN HITCHCOCK**

**8:00 am**

- 19 Papillons 9-6-3-1
- 10 Havanese 3-6-1-0\*

**MS HITCHCOCK MOVES TO RING 10**

**RING 14**  
**DR STEPHEN J SCHELLENBERG (28)**

**10:45 am**

- 3 Lakeland Terriers 2-0-1-0\*
- 18 Cairn Terriers 4-9-3-2\*

**RING 14**  
**MR JAMES M BROWN**  
**CONTINUING FROM RING 6**

**11:35 am**

- 6 Spaniels (Cocker) Black 1-2-3-0

**RING 14**  
**DR STEPHEN J SCHELLENBERG**

**12:00 pm**

- 6 West Highland White Terriers 2-2-1-1\*
- 1 Soft Coated Wheaten Terriers 0-1-0-0\*

**RING 14**  
**MR JAMES M BROWN**

**12:15 pm**

- 6 Spaniels (Cocker) Ascob 4-2-0-0

**12:30 pm**

**LUNCH**

**1:15 pm**

- 9 Spaniels (Cocker) Parti-Color 2-5-0-2

**RING 15**  
**MRS JUDI BENDT**

**8:00 am**

- 14 French Bulldogs 6-4-4-0
- 11 Bulldogs 2-8-1-0

**9:00 am**

- 18 Boston Terriers 2-9-3-4
- 2 Coton de Tulear 0-0-1-1
- 4 American Eskimo Dogs 0-0-2-2
- 4 Dalmatians 1-0-2-1

**10:05 am**

- 8 Keeshonden 1-4-3-0
- 3 Chinese Shar-Pei 0-0-1-2
- 1 Chow Chows 0-0-1-0
- 14 Bichons Frises 2-6-2-4

**MRS BENDT MOVES TO RING 5**

**RING 15**  
**MRS DARLE HECK**  
**CONTINUING FROM RING 16**

**1:25 pm**

- 16 Lhasa Apsos 5-8-3-0
- 10 Fox Terriers (Smooth) 5-2-2-1
- 11 Fox Terriers (Wire) 3-5-2-1

**RING 16**  
**MRS MARETH K KIPP (31)**

**9:00 am**

- 2 Bull Terriers (Colored) 1-0-0-1
- 1 Staffordshire Bull Terriers 0-0-1-0
- 1 American Staffordshire Terriers 0-0-0-1
- 2 Bull Terriers (White) 1-0-0-1
- 1 Russian Toys (Misc. Dog)
- 4 Russian Toys (Misc. Bitches)
- 4 Border Terriers 1-2-1-0

**RING 16**  
**MR FRED C BASSETT**  
**CONTINUING FROM RING 12**

**9:50 am**

- 6 Pugs 0-4-2-0
- 2 Tibetan Spaniels 0-2-0-0
- 9 Poodles (Miniature) 0-5-2-2
- 14 Tibetan Terriers 2-9-2-1

**11:05 am**

- 1 Schipperkes 0-0-0-0
- 1 Veteran Bitch
- 4 Poodles (Standard) 2-1-1-0

**MR BASSETT GOES TO LUNCH**

**ST CROIX VALLEY KENNEL CLUB, INC.**  
**Sunday, August 26, 2018**

**RING 16**  
**MRS DARLE HECK**  
CONTINUING FROM RING 9

**12:00 pm**

- 16 Airedale Terriers 4-4-4-4
- MRS HECK GOES TO LUNCH**  
**MRS HECK MOVES TO RING 15**

**RING 16**  
**MRS MARETH K KIPP**

**12:40 pm**

- 1 Russell Terriers 1-0-0-0
- 1 Norwich Terriers 1-0-0-0
- 1 Australian Terriers 0-0-1-0
- 1 Rat Terriers 1-0-0-0
- 12 Scottish Terriers 2-6-2-2

**RING 16**  
**MR FRED C BASSETT**

**1:20 pm**

- 4 Miniature Schnauzers 0-3-1-0
- 3 Berger Picards 0-1-2-0

**RING 1**  
**REGULAR VARIETY GROUPS**

**1:15 pm**

- TOY GROUP - MR RICHARD CAMACHO\*
  - WORKING GROUP - MRS EVA E BERG
  - HOUND GROUP - COLIN HAMILTON
  - SPORTING GROUP - MR GARTH GOURLAY
  - NON-SPORTING GROUP - MRS JUDI BENDT
  - HERDING GROUP - MRS DARLE HECK
  - TERRIER GROUP - MR FRED C BASSETT
  - BEST IN SHOW - MRS MARETH K KIPP
- Unless otherwise announced.

**RING 9**  
**PUPPY GROUPS**

**12:30 pm**

- TOY GROUP - MS DAWN HITCHCOCK
  - WORKING GROUP - MS DAWN HITCHCOCK
  - HOUND GROUP - MR COLEMAN K NEMEROV
  - SPORTING GROUP - CAROL JEAN HATHAWAY
  - NON-SPORTING GROUP - MR COLEMAN K NEMEROV
  - HERDING GROUP - MR COLEMAN K NEMEROV
  - TERRIER GROUP - MR COLEMAN K NEMEROV
  - BEST PUPPY IN SHOW - CAROL JEAN HATHAWAY
- Unless otherwise announced.

# AKC Code of Sportsmanship

*PREFACE: The sport of purebred dog competitive events dates prior to 1884, the year of AKC's birth. Shared values of those involved in the sport include principles of sportsmanship. They are practiced in all sectors of our sport: conformation, performance and companion. Many believe that these principles of sportsmanship are the prime reason why our sport has thrived for over one hundred years. With the belief that it is useful to periodically articulate the fundamentals of our sport, this code is presented.*

- Sportsmen respect the history, traditions and integrity of the sport of purebred dogs.
- Sportsmen commit themselves to values of fair play, honesty, courtesy, and vigorous competition, as well as winning and losing with grace.
- Sportsmen refuse to compromise their commitment and obligation to the sport of purebred dogs by injecting personal advantage or consideration into their decisions or behavior.
- The sportsman judge judges only on the merits of the dogs and considers no other factors.
- The sportsman judge or exhibitor accepts constructive criticism.
- The sportsman exhibitor declines to enter or exhibit under a judge where it might reasonably appear that the judge's placements could be based on something other than the merits of the dogs.
- The sportsman exhibitor refuses to compromise the impartiality of a judge.
- The sportsman respects the AKC bylaws, rules, regulations and policies governing the sport of purebred dogs.
- Sportsmen find that vigorous competition and civility are not inconsistent and are able to appreciate the merit of their competition and the effort of competitors.
- Sportsmen welcome, encourage and support newcomers to the sport.
- Sportsmen will deal fairly with all those who trade with them.
- Sportsmen are willing to share honest and open appraisals of both the strengths and weaknesses of their breeding stock.
- Sportsmen spurn any opportunity to take personal advantage of positions offered or bestowed upon them.
- Sportsmen always consider as paramount the welfare of their dog.
- Sportsmen refuse to embarrass the sport, the American Kennel Club, or themselves while taking part in the sport.



AMERICAN  
KENNEL CLUB®